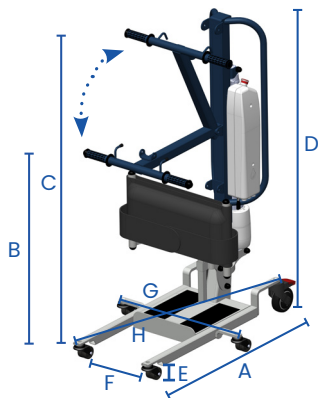


BLUE EASYLEV 3

COMPACT

Its fixed base allows it **to be adapted to all spaces, even confined ones such as toilets.**



Dimensions

- A. Total length: 84 cm
- B. Minimum useful height: 62 cm
- C. Maximum useful height: 157 cm
- D. Total height: 115 cm
- E. Frame height: 8 cm
- F. Minimum base width: 39 cm
- G. Maximum base width: 60,5 cm
- H. Turning diameter: 89 cm

REFERENCES

BEASYLEV3-CBLI

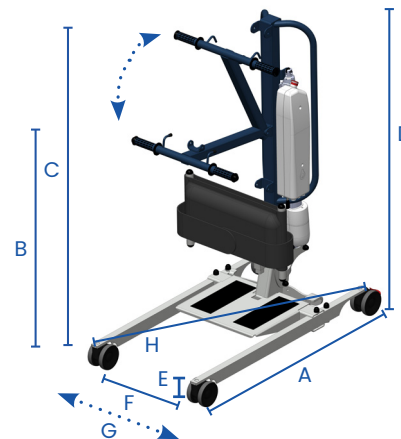
BLUE EASYLEV 3

MECHANICAL OR ELECTRICAL OPENING LEGS

Its wide mechanical or electric base legs enable it **to be used with all types of wheelchairs.**

Depending on the patient's needs, **a lowered platform is available.** The electrical opening legs is to be preferred for heavier patients.

Improved rolling quality thanks to its 100 diameter castors with double ball bearings.



Dimensions

- A. Total length: 100 cm
- B. Minimum useful height: 63 cm
- C. Maximum useful height: 156 cm
- D. Total height: 119,5 cm
- E. Frame height: 11,5 cm
- F. Minimum base width: 57 cm
- G. Maximum base width mechanical: 81 cm
Maximum base width electrical: 80 cm
- H. Turning diameter: 112 cm

REFERENCES

BEASYLEVECP3-CBLI
BEASYLEV+3-CBLI